



Owners Manual

Digital Food Smoker

BTDS76P BTDS108P BTDS76CE-EU BTDS108CE-EU
BTDS76CE-UK BTDS108CE-UK

Bradley 4 Rack Digital Smoker 120 v 572 sq. in Wt 42.5 lbs	Bradley 6 Rack Digital Smoker 120 v 858 sq. in Wt 62.5 lbs	Bradley 4 Rack Digital Smoker 240 v 572 sq. in Wt 42.5 lbs	Bradley 6 Rack Digital Smoker 240 v 858 sq. in Wt 62.5 lbs
--	--	--	--



Bradley Technologies Canada Inc.
1609 Derwent Way, Delta, BC V3M 6K8 Canada
Toll Free Telephone 1-800-665-4188
Tel: 604-524-3848 Fax: 604-524-3839
Email: info@bradleysmoker.com
www.bradleysmoker.com

Dear Sir or Madam,

Welcome to the wonderful experience of backyard smoking and slow roast cooking. The Bradley Smoker is an insulated smoker oven designed to automatically generate a continuous flow of clean smoke. It is an outdoor electrical appliance that enables one to cook, roast, hot smoke, as well as cold smoke food with consistently superior results using minimal effort.

The Bradley Smoker is unique in that it produces smoke which is four times cleaner than traditional burn-box chips. Because it automatically extinguishes the spent Bisquette, it prevents the formation of high temperature gases and acids. In addition, the Bradley Smoker meets both North American and European appliance standards.*

There are nine different woods of the Bradley Flavor Bisquettes that are made especially for your smoker - Alder, Apple, Cherry, Hickory, Maple, Mesquite, Oak, Pecan and Special Blend. There are a number of recipe cards that come packaged with the Bradley Flavor Bisquettes which are also available in the Bradley Recipe Collection, Volume One. Other items of interest are the Bradley Jerky Racks, Bradley Original Racks, Weather Guard Covers, Bradley Cooking Video, Caps, Aprons, and the Bradley Digital Thermometer with meat probe that takes all the guesswork out of roasting and smoking meat.

We wish you great cooking and smoking for the years to come.

Sincerely,



The Bradley Group

**Based on studies and tests performed at The British Columbia Institute of Technology.*

Important Safety Warnings

When using electrical appliances, basic safety precautions should always be followed including the following:

SAVE THESE INSTRUCTIONS

1. Please read all instructions.
2. Do not touch hot surfaces. Use handles or knobs.
3. Do not use aluminum foil inside the smoker oven.
4. To protect against electrical shock do not immerse cords, plugs, generator, or smoker oven in water or other liquid.
5. Close supervision is necessary when any appliance is used by or near children.
6. Unplug from outlet when not in use and before cleaning. Allow to cool before putting on or taking off parts.
7. The use of accessory attachments not recommended by the appliance manufacturer may cause injuries.
8. Do not use appliance for other than intended use.
9. Fuel, such as charcoal briquettes, are not to be used with appliance.
10. Extreme caution must be used when moving an appliance containing hot oil or other hot liquids.
11. Do not let cord hang over edge of table or counter, or touch hot surfaces.
12. Do not place on or near a hot gas or electric burner, or in a heated oven.
13. Be cautious of sharp edges when assembling and operating appliance.
14. If an extension cord is required, the cord must be an approved 3 prong (grounded) heavy duty cord for outdoor use not over 6 feet long.
15. Do not operate any appliance with a damaged cord or plug, or after an appliance malfunctions or has been damaged in any manner. Return appliance to the nearest authorized service facility for examination, repair, or adjustment. For assistance call toll free 1-800-665-4188.
16. Always attach plug to appliance first, then plug cord into wall outlet. To disconnect, turn all controls to "OFF", then remove plug from wall outlet.
17. Use only on properly grounded outlet.
18. Save these Instructions.

When in Use

- For outdoor use only. Do not operate in an enclosed area.
- Do not leave unattended when in use.
- Do not plug in smoker until fully assembled.
- Do not cover or seal racks or trays with aluminum foil. This can cause damage to your smoker.
- Do not move smoker when in use.
- Do not exceed a temperature of 320° F.
- Always wear oven mitts to protect hands from burns.
- Do not use packaging box to cover smoker when in use.
- Use only approved grounded electrical outlet.
- Do not allow rain water to come in contact with smoker. Do not use in extreme weather conditions.
- Do not immerse in water.
- Keep out of reach of pets and children.
- Do not clean this appliance with water spray or the like.
- When not in use – store indoors out of reach of children.
- Care should be exercised in the use of detachable power-supply cord and extension cords to reduce the risk resulting from becoming entangled in or tripping over a long cord.
- Outdoor extension cords should be used with outdoor products and are marked with suffix letters “W-A” and with a tag stating “Suitable for Use with Outdoor Appliances”
- Keep the connection to extension cords dry and off the ground

After Each Use

- Unplug smoker when not in use.
- Remove grease and residue left in smoker. Clean smoker thoroughly. Place extinguished Bradley Flavor Bisquettes at a safe distance from all structures and combustible materials. Store smoker in a dry covered place.

Assembling Instructions

Refer to Part Numbers in Exterior Part List & Interior Component List Diagrams.

How to Assemble the Bradley Digital Smoker

- Remove smoker from box.
- Take all packaged parts out of the smoker.
- Remove all protective packaging.

Nota: La temperatura normal de cocinado es entre 200°F - 250°F. Tenga en mente que la Temperatura mostrada en la Pantalla es para referencia solamente y no intenta dar temperaturas internas exactas de los alimentos. La temperatura interna será mas alta cerca del Elemento de Calentamiento.

Si estos consejos no funcionan, por favor llame a nuestro Servicio al Cliente al 1-800-665-4188

cepillo de alambre o un raspador para remover cualquier residuo dejado por el proceso de quemado.

- * Limpie la Tapa de la Ventila (arriba del ahumador) para asegurarse que no está atorada.
- * Frote el Sello de la Puerta con agua tibia para remover residuos y partículas de comida.

Despues de la Limpieza

- * Vuelva a colocar las Parrillas, Bandeja de Goteo, Bandeja Rectangular del Fondo y el Tazón de Goteo dentro del ahumador, asegurandose que todas las partes están limpias secas.
- * Inserte de nuevo el Generador de Humo dentro de la torre del ahumador.
- * Asegurese de que el Cordón de Abastecimiento de Electricidad (3) está desenchufado.

Como Solucionar Problemas

No electricidad en el Ahumador:

Verifique que todos los enchufes estan insertados correctamente en los contactos. Verifique el fusible (localizado en el generador de humo). Verifique para asegurarse que la toma de corriente, Interruptor de Circuitos Conectados a Tierra (GFCI) no ha sido descuidado.

Los Bisquettes no Avanzan:

Verifique la guía del transmisor y quite las virutas de madera sueltas. Al limpiar el generador de humo, se evita que los bisquettes se atoren y el desgaste puede ser evitado.

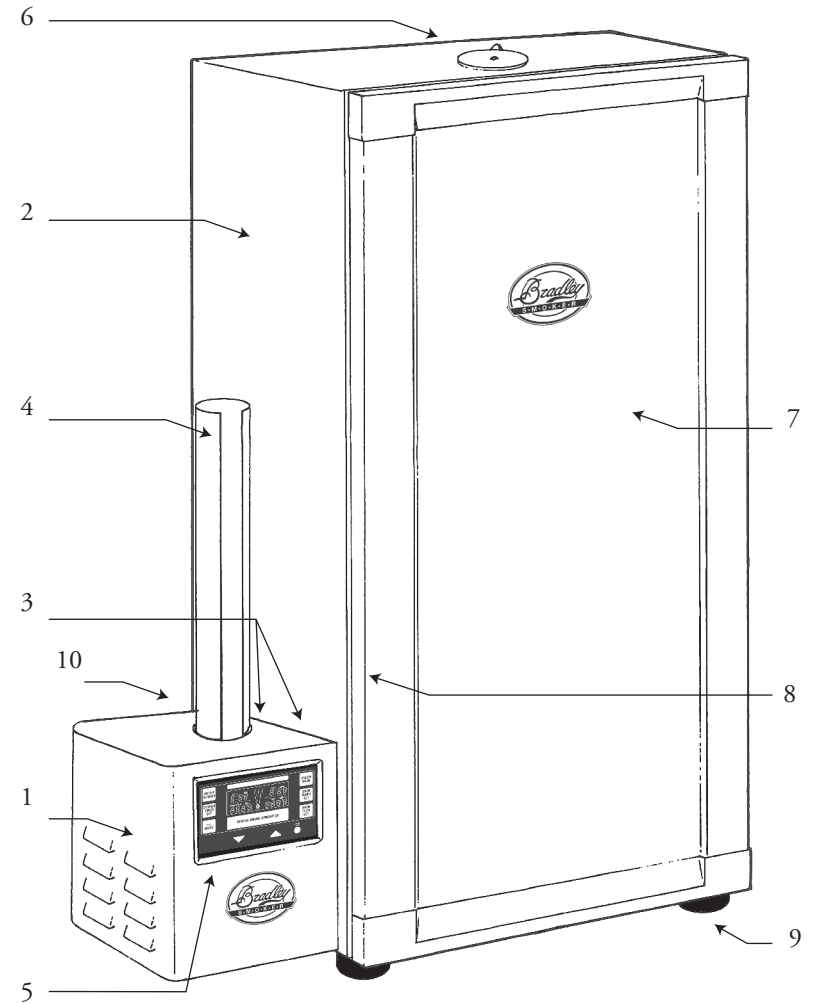
Un Bisquette que no está Completamente Quemado:

Verifique que no está enchufado al circuito algún otro equipo eléctrico. El ahumador deberá estar enchufado a su propio circuito de pared. Verifique para asegurarse que el quemador de bisquettes está libre de acumulación de residuos.

El Horno Ahumador no Alcanza las Temperaturas:

Dele tiempo al ahumador para que se precaliente. Recuerde, una vez que la comida es puesta en el horno la temperatura descenderá, y subirá lentamente de nuevo. Trate de cerrar ligeramente la cubierta de la ventila y mantener el ahumador alejado del viento. Despues, trate de usar un termómetro por separado adentro del ahumador para asegurar que la temperatura numérica está indicando correctamente.

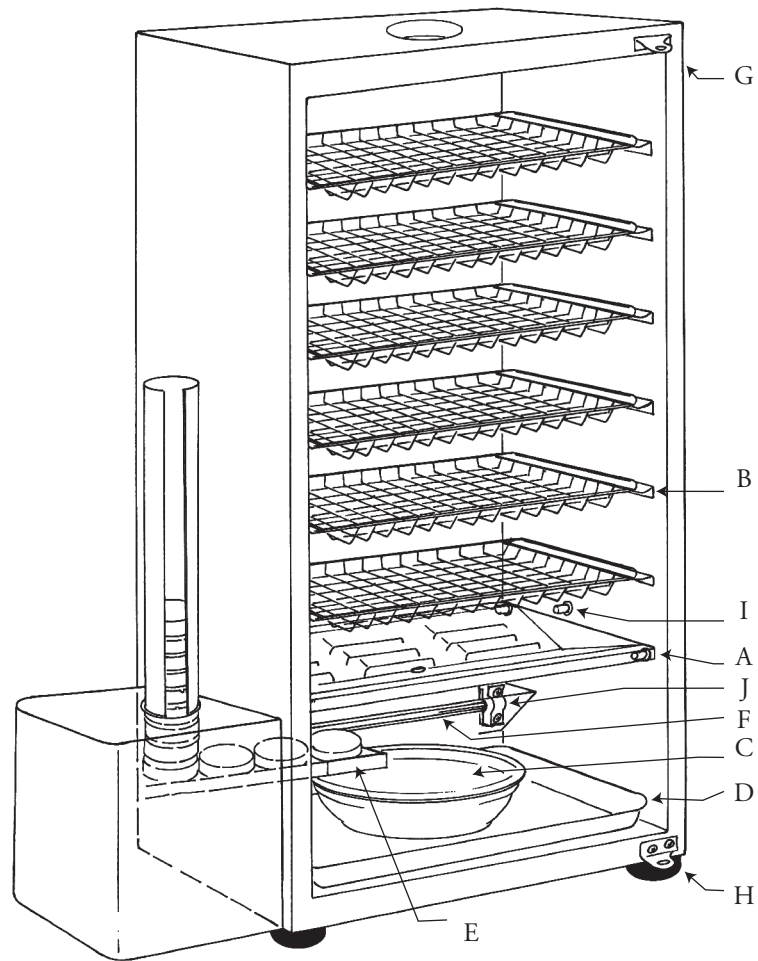
Bradley Digital Smoker® Exterior



Exterior Parts List

- | | |
|---|---|
| 1 - Digital Smoke Generator | 6 - Damper |
| 2 - Smoke Tower | 7 - Door |
| 3 - Generator Supports (not shown) | 8 - Door Seal |
| 4 - Feeder Tube | 9 - Rubber Feet |
| 5 - Digital Display Panel (see page 10) | 10 - Sensor Cable,
Jumper Cord &
Power Supply Cord
(not Shown, see page 8) |

Bradley Digital Smoker® Interior



Interior Parts List

- | | |
|---|-------------------------|
| A - Drip Tray | F - Heating Element |
| B - Cooking Racks (4 or 6) | G - Top Door Hinge |
| C - Drip Bowl | H - Lower Door Hinge |
| D - Bottom Rectangular Tray | I - Brass Pin |
| E - Bisquette Burner
(Bisquettes not included) | J - Porcelain Insulator |

la temperatura interna inmediatamente. Una vez que el botón “On/Off Oven” ha sido oprimido para encender el horno, el Oven Timer se prenderá intermitentemente hasta que el deseado tiempo de cocinado ha sido fijado. El Temp Setting también se prenderá intermitentemente hasta que la temperatura deseada ha sido fijada.

Mantenimiento General

Precauciones Importantes de Seguridad

- * El Ahumador Bradley debiera ser mantenido y limpiado despues de cada uso.
- * Desconecte el Cordón de Abastecimiento de Electricidad (3) antes de comenzar cualquier mantenimiento o limpieza.
- * No sumerja el ahumador en agua.
- * No rocíe el interior del ahumador con cualquier tipo de limpiador de aparatos.
- * No use papel de aluminio adentro del ahumador.
- * No lo deje desatendido cuando esté en uso.
- * No rocíe o limpie el ahumador con cantidades excesivas de agua.

Procedimientos de Mantenimiento

- * Limpie el Tazón de Goteo. Deshagase cuidadosamente de todos los Bisquettes quemados pues pueden estar aún calientes.
- * Lave la Bandeja de Goteo, Parrillas, Bandeja Rectangular del Fondo y el Tazón de Goteo con agua caliente y detergente o póngalos en la lavadora de platos.
- * Remueva las partículas de comida y residuos de grasa del ahumador. Si el interior necesita limpieza, frótelo con un trapo húmedo.

Nota: La torre deberá tener humo o residuo negro en su interior. Entre mas residuo, mejor sabrá el producto.

- * El Generador Numérico de Humo deberá ser mantenido limpio y libre de virutas de madera y grasa todo el tiempo. Si virutas de madera sueltas se han acumulado en el Generador de Humo, simplemente soplelas o aspírelas. Desconecte el Cordón de Abastecimiento de Electricidad (3), Cordón de Cierre (2), y el Cable Sensor (1) antes de remover el Generador de Humo de la Torre del Ahumador. Refierase a “Remover Generador de Humo” en “Instrucciones de Ensamblado”.
- * El Quemador de Bisquettes deberá ser ligeramente raspado usando un

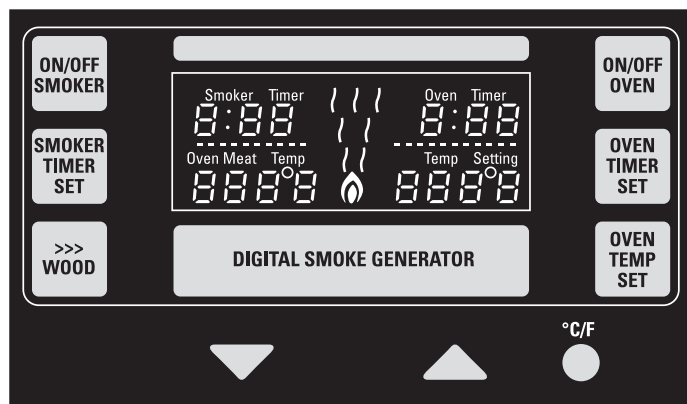
Guía de Función de la Pantalla

Generador Numérico de Humo

- * El Generador de Humo es operado por los botones de control del lado izquierdo.
- * Oprima “On/Off Smoker” para encender el Generador de Humo.
- * Oprima “>>>Wood” para avanzar los Bisquettes dentro del quemador.
- * Oprima “Smoker Timer Set” y después “v ^” para fijar la deseada duración del tiempo de ahumado.
- * Oprima “Smoker Timer Set” de nuevo para empezar 20 minutos de avance automático.
- * Oprima “On/Off Smoker” para apagar el Generador de Humo.

Horno Ahumador

- * El Horno Ahumador es operado por los botones de control del lado derecho.
- * Oprima “On/Off Oven” para encender el Horno Ahumador.
- * Oprima “Oven Temp Set” y después use los botones “v ^” para fijar la temperatura deseada.
- * Oprima “Oven Temp Set” de nuevo para fijar la temperatura.
 - * Oprima “Oven Timer Set” y luego use “v ^” para fijar la deseada duración del tiempo de cocinado
- * Oprima “Oven Timer Set” de nuevo para fijar el tiempo de cocinado.
- * Oprima “On/Off Oven” para apagar en Horno Ahumador.



Función de la Pantalla

Una vez que el botón “On/Off Smoker” ha sido oprimido para encender el generador de humo, el Smoker Timer se prenderá intermitentemente hasta que el tiempo deseado ha sido fijado. El Oven Meat Temp empezará a leer

Install Digital Smoke Generator (see page 5)

- Attach digital smoke generator (1) to the smoker tower (2) by placing the Bisquette Burner (G) through the left side opening of the tower. Align the generator keyholes to the two supports (3) on the side and push down to secure in position.
- Insert the Feeder Tube (4) into the top of the smoke generator. Push down firmly. Load with desired amount of Bradley Flavor Bisquettes.
- Plug the Sensor Cable (1) into the back of the smoke generator (A) and smoker (B). (see page 8)
- Plug the Jumper Cord (2) into the back of the smoke generator (D) and then into the back of the smoke tower (C). (see page 8)
- Plug the Power Supply Cord (3) into the power receptacle (E).

Set Up Smoker Tower (see page 6)

- Place Racks, either four or six, (C) onto side supports above the Drip Tray (B).
- Place Drip Tray (B) “V” facing down beneath the Racks on the brass side pins.
- Place the Rectangular Tray (E) on the bottom of the smoker.
- Fill the Drip Bowl (D) half full with water and place in the center of Rectangular Tray to catch burnt Bisquettes. During a long smoking period, the Drip Bowl may require changing the water.
- Plug the Power Supply Cord (3) from the smoke generator into an approved grounded electrical outlet (4). (see page 8)

To Remove Smoke Generator

- Make sure the smoke generator has had time to cool down. Unplug the Power Supply Cord from the wall outlet (4) and from the smoke generator (3). Detach Sensor Cable (1) and Jumper Cord (2) and then remove smoke generator from the smoker tower by raising it gently upward and pulling it outward.

Operation Guideline

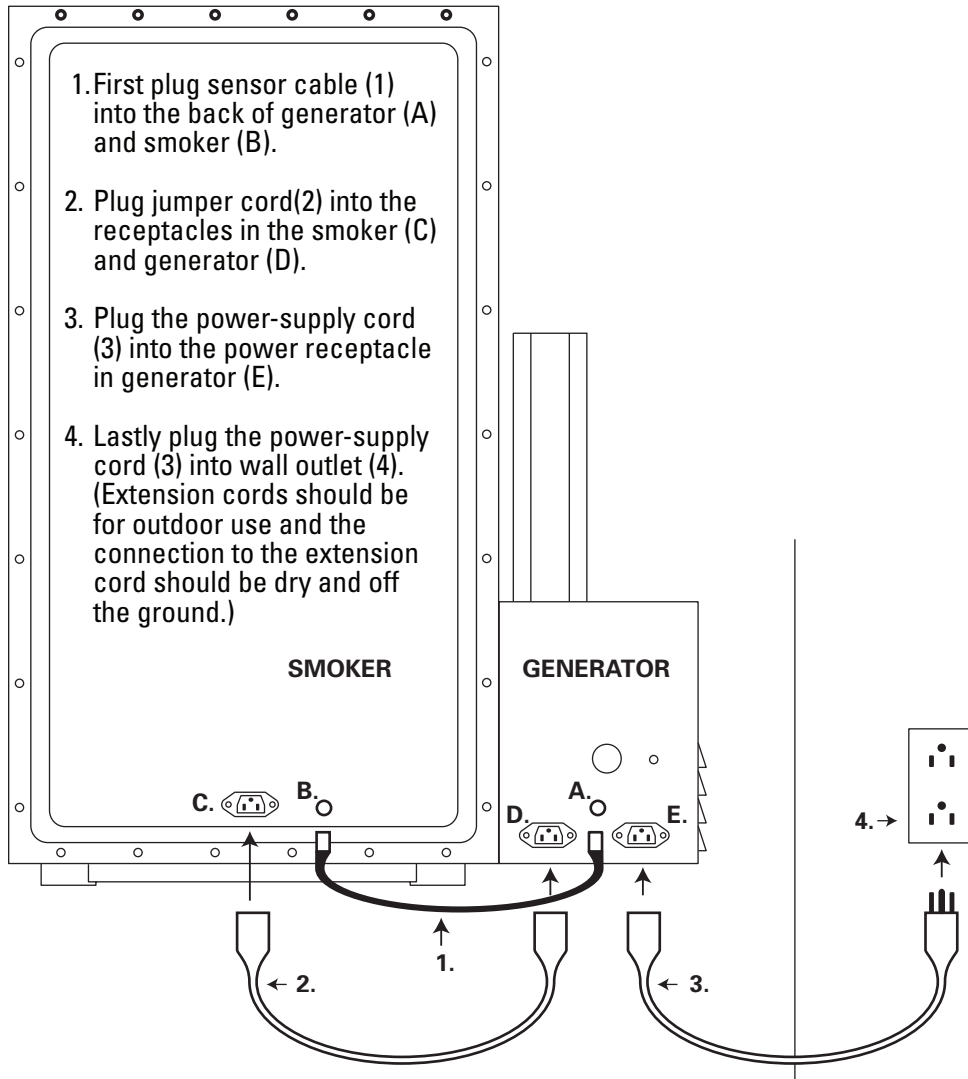
Seasoning & Preparation For Use

- Seasoning the Bradley Digital Smoker is an ongoing process, the more you use it, the better tasting the foods will be.
- The Seasoning Process is mainly to remove the impartial smells and flavors from your smoker. The smell of your new Bradley Digital Smoker is not necessarily how you want your food to taste.

ELECTRICAL CONNECTION SET UP

After mounting Generator on side of Smoker

(IN THIS ORDER)



1. First plug sensor cable (1) into the back of generator (A) and smoker (B).

2. Plug jumper cord(2) into the receptacles in the smoker (C) and generator (D).

3. Plug the power-supply cord (3) into the power receptacle in generator (E).

4. Lastly plug the power-supply cord (3) into wall outlet (4). (Extension cords should be for outdoor use and the connection to the extension cord should be dry and off the ground.)

SMOKER

GENERATOR

C.

B.

D.

A.

E.

4. →

1. Sensor cable

2. Jumper cord

3. Power-supply cord

4. Wall outlet

A. Sensor receptacle

B. Sensor receptacle

C. Male receptacle

D. Female receptacle

E. Male receptacle

Método de Curado

- * Limpie las Parrillas, Bandeja de Goteo, Tazón de Goteo y Bandeja Rectangular y colóquelas en el ahumador.
- * Llene a la mitad con agua el Tazón de Goteo.
- * Cargue el Tubo Alimentador con 5 Bisquettes. Nota - Cada Bisquette quema por 20 minutos. Los 2 Bisquettes extras son para empujar el último Bisquette dentro del Quemador. Estos últimos 2 Bisquettes no avanzarán dentro del Quemador.
- * Abra ligeramente la Cubierta de la Ventila arriba de la torre del ahumador.
- * Oprima "On/Off Smoker" para encender.
- * Oprima ">>>Wood" dos veces para avanzar un Bisquette dentro del Quemador.
- * Fije el "Smoker Timer Set" para una hora.
- * Oprima "On/Off Oven" para encender.
- * Fije "Oven Temp Set" a 150°F (66°C)
- * Fije el "Oven Timer Set" a 1 hora.

Nota: Su ahumador estará curado habiendo alcanzado 150°F y ahumado por 1 hora.

Para Empezar

- * Despues de curar el ahumador, llene el Tazón de Goteo a la mitad con agua.
- * Cargue el número deseado de Bisquettes dentro del Tubo Alimentador.
- * Oprima "On/Off Smoker" para encender el generador de humo.
- * Oprima ">>>Wood" dos veces para avanzar un Bisquette dentro del quemador.
- * Oprima "Smoker Timer Set" para duración del tiempo de ahumado.
- * Coloque su comida sobre las parrillas y cárguelas dentro del ahumador.
- * Fije la Cubierta de la Ventila en la abertura deseada.
- * Oprima "On/Off Oven" para encender el ahumador.
- * Oprima "Oven Temp Set" para fijar el calor.
- * Oprima "Oven Timer Set" para fijar el tiempo de duración de cocinado.

Por favor ver "Guia de la Función de la Pantalla" para mas amplia dirección.

** Ahumado Frio - Use solamente el generador.*

** Ahumado Caliente - Use el generador y el horno juntos.*

Guía de Operación

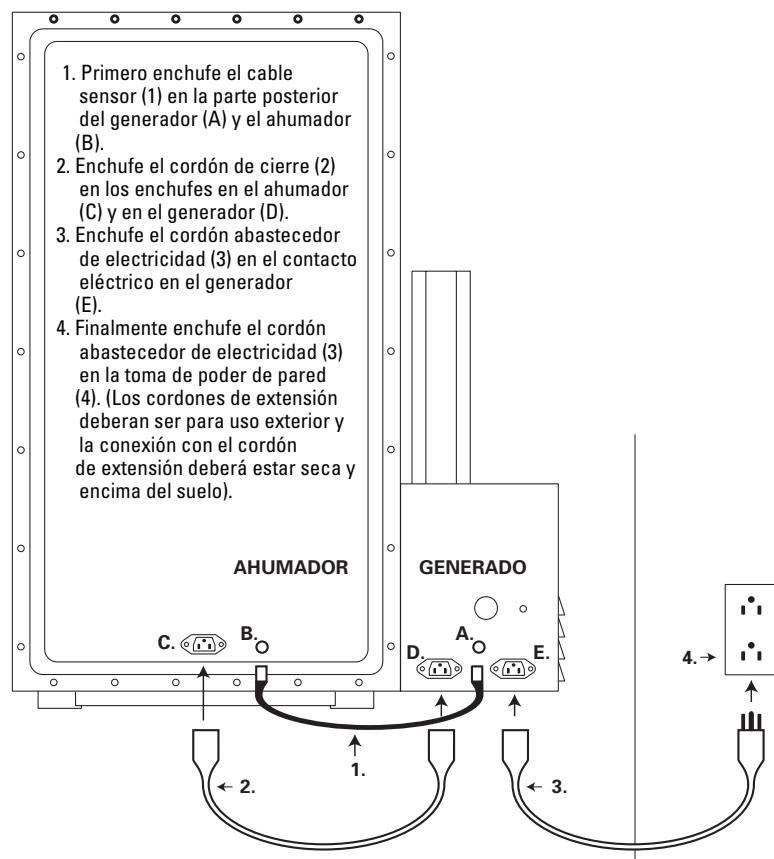
Curado y Preparación para Uso

- * Curando el Ahumador Numérico Bradley es un proceso que marcha, entre mas lo hace, las comidas tendrán mejor sabor.
- * El Proceso de Curado es principalmente para remover los olores y sabores imparciales de su ahumador. El olor de su nuevo Ahumador Numérico Bradley no es necesariamente como quiere usted que sepa su comida.

DISPOSICION DE LA CONEXION ELECTRICA

Despues de montar el Generador al lado del Ahumador

(EN ESTE ORDEN)



1. Cable sensor
2. Cordón de cierre
3. Cordón abastecedor de electricidad
4. Toma de poder de pared

- A. Contacto sensor
- B. Contacto sensor
- C. Contacto macho
- D. Contacto hembra
- E. Contacto macho

Seasoning Method

- Clean Racks, Drip Tray, Drip Bowl and Rectangular Tray and place in smoker.
- Fill the Drip Bowl half full of water.
- Load the Feeder Tube with 5 Bisquettes. Note- Each Bisquettes burns for 20 minutes. The 2 extra Bisquettes are meant to push the final Bisquette onto the Burner. These last 2 Bisquettes will not advance onto the Burner.
- Open the Vent Cover slightly at the top of smoker tower.
- Press “On/Off Smoker” to turn on.
- Press “>>>Wood” three times to advance a Bisquette onto the Burner.
- Set the “Smoker Timer Set” for 1 hour.
- Press “On/Off Oven” to turn on.
- Set “Oven Temp Set” to 150° F (66° C).
- Set the “Oven Timer Set” to 1 hour.

Note: Your smoker will be seasoned having reached 150° F and smoked in for 1 hour.

Getting Started

- After seasoning the smoker, refill the Drip Bowl half full with water.
- Load desired amount of Bisquettes into the Feeder Tube.
- Press the “On/Off Smoker” to turn the smoke generator on.
- Press “>>> Wood” three times to advance a Bisquette onto the Burner.
- Press “Smoker Timer Set” for length of smoking time.
- Place your food onto the Racks and load them into the smoker.
- Set the Damper to the desired opening.
- Press the “On/Off Oven” to turn smoker oven on.
- Press “Oven Temp Set” to set the heat.
- Press “Oven Timer Set” to set length of cooking time.

Please see “Display Function Guideline” for further direction.

- *Cold Smoke- Use the generator only.*
- *Hot Smoke- Use the generator and the oven together.*

Display Function Guideline

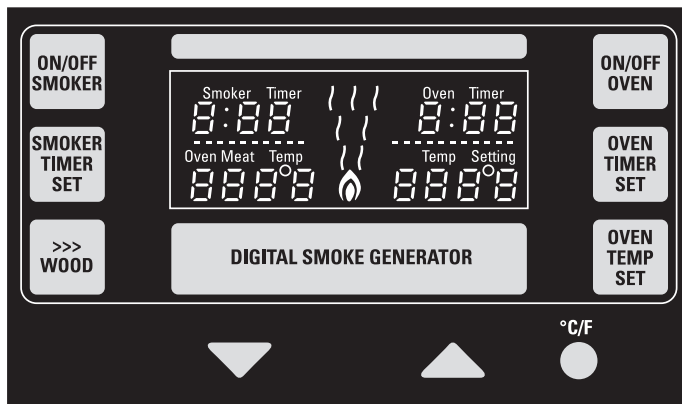
Digital Smoke Generator

- Smoke Generator operated by left side control buttons.
- Press “On/Off Smoker” to turn Smoke Generator on.
- Press “>>> Wood” to advance Bisquettes onto Burner.

- Press “Smoker Timer Set” and then “v ^” to desired length of smoking time.
- Press “Smoker Timer Set” again to start 20 minute automatic advance.
- Press “On/Off Smoker” to turn Smoke Generator off.

Smoker Oven

- Smoker Oven operated by right side control buttons.
- Press “On/Off Oven” to turn Smoker Oven on.
- Press “Oven Temp Set” and then use “v ^” buttons to set desired temperature.
- Press “Oven Temp Set” again to set the temperature.
- Press “Oven Timer Set” and then use “v ^” to reach desired length of cooking time.
- Press “Oven Timer Set” again to set cooking time.
- Press “On/Off Oven” to turn Smoker Oven off.



Display Function

Once the “On/Off Smoker” button has been pressed to turn the smoke generator on, the “Smoker Timer” display will flash until the desired time has been set. The “Oven Meat Temp” will start to read the internal temperature right away. Once the “On/Off Oven” button has been pressed to turn the oven on, the “Oven Timer” display will flash until the desired cooking time has been set. The “Temp Setting” will also flash until the desired temperature has been set.

Como Instalar el Generador Numérico de Humo (ver página 33)

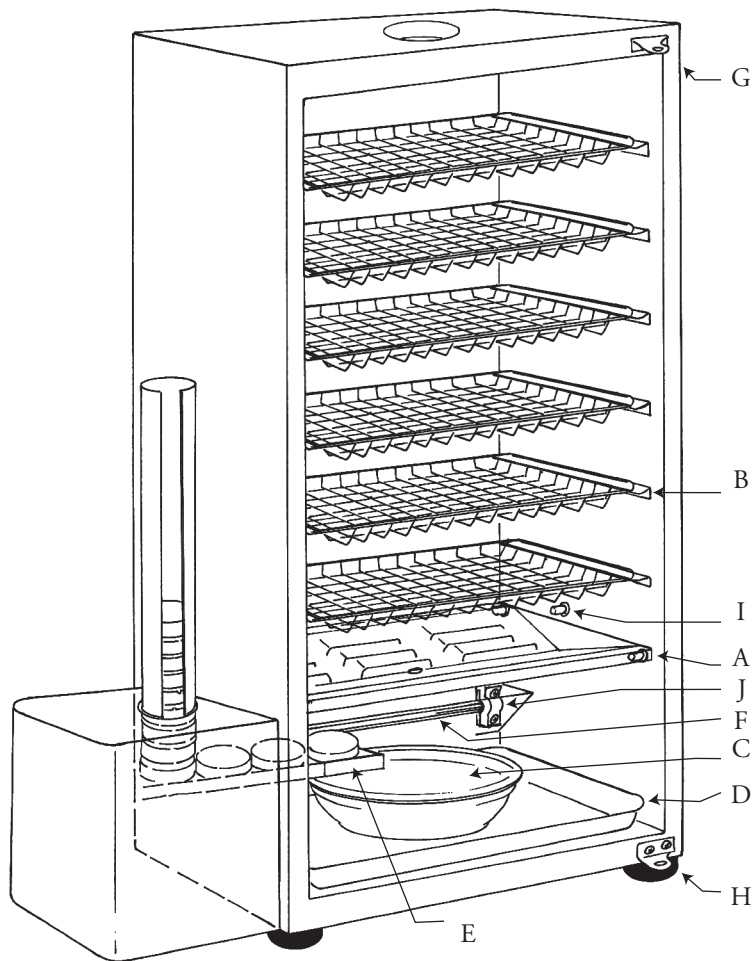
- * Conectar el generador numérico de humo (1) a la torre del ahumador (2) colocando el Quemador de Bisquettes (G) al través de la abertura en el lado izquierdo de la torre. Ponga en línea los agujeros en el generador con los dos soportes (3) en el lado y empuje hacia abajo para asegurar la posición.
- * Inserte el Tubo Alimentador (4) en la tapa del generador de humo. Empuje firmemente hacia abajo. Cargue con la cantidad deseada de Bisquettes de Sabor Bradley.
- * Enchufe el Cable Sensor (1) en la parte posterior del generador de humo (A) y del ahumador (B). (ver página 36)
- * Enchufe el Cordón de Cierre (2) en la parte posterior del generador de humo (D) y despues en la parte posterior de la torre de humo (C). (ver página 36)
- * Enchufe el Cordón de Suministro de Electricidad (3) en el contacto eléctrico (E).

Disposición de la Torre del Ahumador (ver página 34)

- * Coloque las Parrillas, cuatro o seis, (C) sobre los soportes laterales arriba de la Bandeja de Goteo (B).
- * Coloque la Bandeja de Goteo (B) “V” hacia abajo debajo de las Parrillas sobre los pernos laterales de latón.
- * Coloque la Bandeja Rectangular (E) en el fondo del ahumador.
- * Llene el Tazón de Goteo (D) a la mitad de agua y colóquelo en el centro de la Bandeja Rectangular para captar los Bisquettes quemados. Durante un largo periodo de ahumado, el Tazón de Goteo probablemente requiera un cambio de agua.
- * Enchufe el Cordón de Abastecimiento de Electricidad (3) de el generador de humo en una toma de poder aprobada conectada a tierra (4). (ver página 36)

Para Remover el Generador de Humo

- * Asegurarse que el generador de humo ha tenido tiempo de enfriarse. Desenchufe el Cordón de Abastecimiento de Electricidad de la toma de poder de pared (4) y de el generador de humo (3). Separe el Cable Sensor (1) y el Cordón de Cierre (2) y entonces remueva el generador de humo de la torre del ahumador levantandolo ligeramente hacia arriba y jalándolo hacia afuera.



Lista de Partes Interiores

- | | |
|--|----------------------------------|
| A- Bandeja de Goteo | F- Elemento Calentador |
| B- Parrillas de Cocinado (4 o 6) | G- Bisagra Superior de la Puerta |
| C- Bandeja Rectangular del Fondo | H- Bisagra Inferior de la Puerta |
| E- Quemador de Bisquettes
(Bisquettes no incluidos) | I- Perno de Latón |
| | J- Aislador de Porcelana |

Important Safety Precautions

- Bradley Smoker must be maintained and cleaned after each use.
- Unplug the Power Supply Cord (3) prior to commencement of any maintenance or cleaning.
- Do not immerse smoker in water.
- Do not spray inside of smoker with any kind of appliance cleaner.
- Do not use aluminum foil inside the smoker.
- Do not leave unattended when in use.
- Do not spray or clean the smoker with excessive amounts of water.

Maintenance Procedures

- Clean out the Drip Bowl. Dispose of all burnt Bisquettes carefully as they may still be hot.
- Wash the Drip Tray, Racks, Bottom Rectangular Tray and Drip Bowl with hot water and detergent, or put them in the dishwasher.
- Remove food particles and grease residue from the smoker. If the inside needs cleaning, wipe it with a damp cloth.

Note: The tower should have smoke or black residue on the inside. The more residue, the better the product will taste.

- The Digital Smoke Generator should be kept clean and free of wood chips and grease at all times. If loose wood chips have collected in the Smoke Generator, simply blow or vacuum these particles away. Unplug the Power Supply Cord (3), Jumper Cord (2), and the Sensor Cable (1) before removing the Smoke Generator from the Smoke Tower. Refer to “Remove Smoke Generator” in “Assembly Instructions”.
- The Bisquette Burner should be lightly scraped using a wire brush or scraper to remove any residue that has been left by the burning process.
- Clean the Damper (at the top of the smoker) to ensure it is not stuck.
- Wipe the Door Seal with warm water to remove any leftover residues and food particles.

After Cleaning

- Replace Racks, Drip Tray, Bottom Rectangular Tray and Drip Bowl into the smoker, making sure all parts are clean and dry.
- Insert the Smoke Generator back into the smoker tower.
- Make sure the Power Supply Cord (3) is unplugged.

Trouble Shooting

No Power to Smoker:

Check that all plugs are correctly inserted into sockets. Check fuse (located on smoke generator). Check to make sure the outlet, Ground Fault Circuit Interrupter (GFCI), has not been tripped.

Bisquettes will not Advance:

Check the drive guide and clear all loose wood chips. By cleaning the smoke generator, bisquette jamming and undue wear and tear can be avoided.

Bisquette does not Burn Completely:

Check to see if other electrical equipment is plugged into the circuit. The smoker should be plugged into its own dedicated wall circuit. Check to make sure the bisquette burner is free of residue build up.

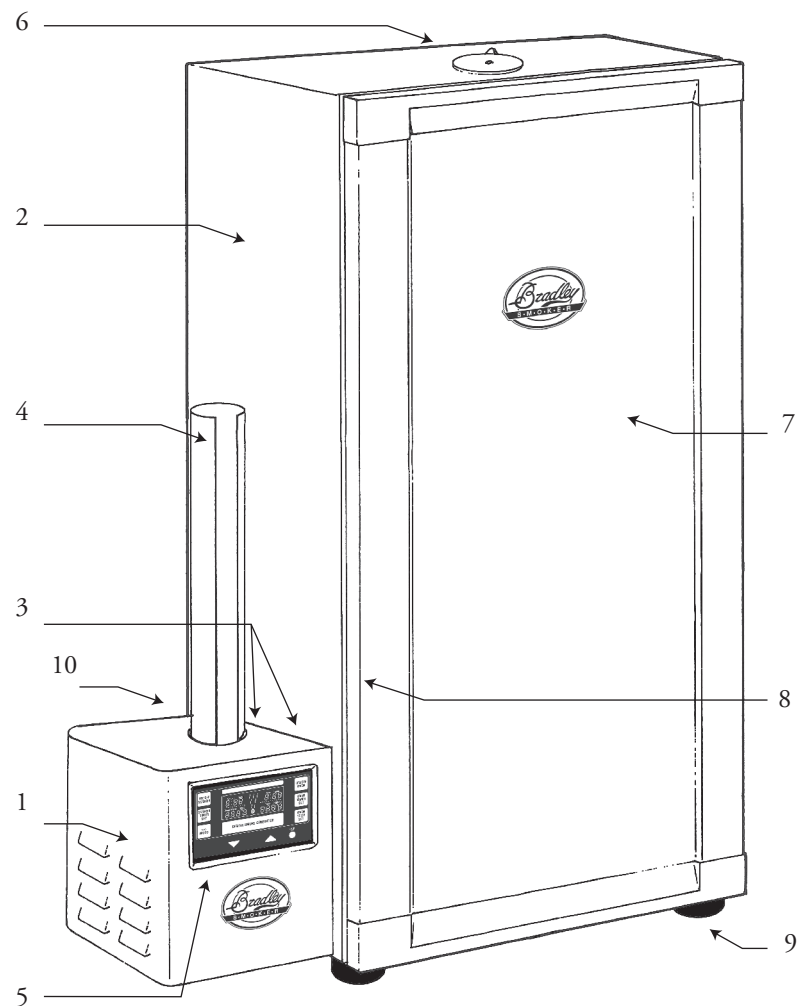
Smoker Oven Not Reaching Temperatures:

Allow smoker oven time to preheat. Remember, once food is put in the oven, the temperature will drop, and slowly rise again. Try closing the Damper slightly and keeping the smoker out of the wind. Next, try using a separate thermometer inside the smoker oven to ensure the digital temperature is reading correctly.

Note- Normal cooking temperature is between 200° F – 250° F. Keep in mind that the Temperature shown on the Display is for reference only and is not intended to give exact internal temperatures of the food. The internal temperature will be higher closer to the Heat Element.

If these tips don't work, please call our Customer Service at 1-800-665-4188.

Ahumador Numérico Bradley® Exterior



Lista de Partes Exteriores

- | | |
|--|--|
| 1- Generador Numérico de Humo | 6- Cubierta de ventila |
| 2- Torre de Humo | 7- Puerta |
| 3- Soportes del generador (no mostrados) | 8- Sello de Puerta |
| 4- Tubo alimentador | 9- Patas de Hule |
| 5- Pantalla numérica (ver página 38) | 10- Cable Sensor, Cordón de Cierre y
Cordón de Suministro de Electricidad
(no Mostrado, ver página 36) |

Cuando en Uso

- * Para uso exterior unicamente. No opere en una área encerrada.
- * No lo deje desatendido cuando esté en uso.
- * No conecte el ahumador hasta que esté completamente ensamblado.
- * No cubra o selle las parrillas o bandejas con papel de aluminio. Esto puede causar daño a su ahumador.
- * No mueva el ahumador cuando esté en uso.
- * No exceder una temperatura de 320°F.
- * Siempre use guantes para horno para proteger sus manos de quemaduras.
- * No use la caja de empaque para cubrir el ahumador cuando esté en uso.
- * Use solamente toma de poder eléctrica aprobada conectada a tierra.
- * No permita al agua de lluvia entrar en contacto con el ahumador. No lo use en condiciones climatológicas extremas.
- * No lo sumerja en agua.
- * Manténgalo fuera del alcance de mascotas y niños.
- * Deberá tenerse cuidado con el uso de cordón separable de suministro de electricidad y extensiones de cordón para reducir el riesgo resultante de enredarse o tropezarse con un cordón largo.
- * Extensiones de cordón para exteriores deberán ser usadas con productos para exteriores y están marcadas con las letras sufijo “W-A” y con una etiqueta que dice “Adecuado para Uso con Aparatos para Exteriores”.
- * “Mantenga la conexión con las extensiones de cordón seca y encima del suelo”.

Después de Cada Uso

- * Desenchufe el ahumador cuando no esté en uso.
- * Remueva la grasa y el residuo que quede en el ahumador. Limpie detalladamente el ahumador. Ponga los Bisquettes de Sabor Bradley extinguidos a una distancia segura de todas las estructuras y materiales combustibles. Guarde el ahumador en un lugar seco y cubierto.

Instrucciones de Ensamblado

Referirse a Números de Parte en la Lista de Partes Exteriores y Lista de Diagramas de Componentes Interiores.

Como Ensamblar el Ahumador Numérico Bradley

- * Remover el ahumador de la caja.
- * Sacar todas las partes empacadas fuera del ahumador.
- * Remover todo el empaquetado protector.

Avisos Importantes de Seguridad

Cuando use aparatos eléctricos, precauciones básicas de seguridad deberán ser seguidas siempre incluyendo las siguientes:

GUARDE ESTAS INSTRUCCIONES

1. Por favor lea todas las instrucciones.
2. No toque las superficies calientes. Use manijas o perillas.
3. No use papel de aluminio adentro del horno del ahumador.
4. Para protección contra toques eléctricos no sumerja cordones, enchufes, el generador, o el horno del ahumador en agua u otro líquido.
5. Supervisión cercana es necesaria cuando algún aparato es usado por o cerca de niños.
6. Desenchufe de la toma de corriente cuando no esté en uso y antes de limpiar. Dele tiempo a enfriarse antes de colocar o remover las partes.
7. El uso de accesorios no recomendados por el fabricante del aparato puede causar lesiones.
8. No le de al aparato otro uso que el indicado.
9. Combustible, tal como briquetas de carbón, no deba ser usado con el aparato.
10. Precaución extrema deberá ser usada cuando se mueva un aparato conteniendo aceite caliente u otro líquido caliente.
11. No deje que el cordón cuelgue sobre la orilla de la mesa o mostrador, o que toque superficies calientes.
12. No lo ponga encima o cerca de gas caliente o quemador eléctrico, o en un horno caliente.
13. Tenga precaución con los cantos cortantes cuando esté ensamblando u operando el aparato.
14. Si se requiere una extensión, el cordón deberá ser uno aprobado de 3 puntas (conectado a tierra) reforzado para uso exterior de no mas de 6 pies de largo.
15. No opere ningún aparato con un cordón dañado en cualquier forma. Regrese el aparato al taller de servicio autorizado mas cercano para examinación, reparación, o ajuste. Para asistencia llame sin costo al 1-800-665-4188
16. Siempre conecte primero el enchufe al aparato, despues enchufe el cordón en la toma de poder de pared. Para desconectar, de vuelta a todos los controles a "OFF", despues remueva el contacto de la toma de poder de la pared.
17. Uselo solamente con una toma de poder adecuadamente conectada a tierra
18. Guarde estas instrucciones.

Estimado Señor o Señora:

Bienvenidos a la maravillosa experiencia de ahumar en el jardín trasero y de cocinar asando lentamente. El Ahumador Bradley es un horno aislado diseñado para generar automáticamente un flujo continuo de humo limpio. Es un aparato eléctrico para exteriores que le permite a uno cocinar, rostizar, ahumar en caliente o en frío comida con resultados superiores consistentes y con el mínimo de esfuerzo.

El Ahumador Bradley es único porque produce humo que es cuatro veces más limpio que el de los tradicionales quemadores de viruta, y extingue automáticamente los Bisquettes usados previniendo la formación de gases y ácidos de alta temperatura. Además, el Ahumador Bradley cumple con las normas Norteamericanas y Europeas para aparatos.*

Hay nueve diferentes maderas en los Bisquettes de Sabor Bradley (Aliso, Manzano, Cerezo, Nogal Americano, Arce, Mezquite, Roble, Pacana y Mezcla Especial) que son hechos especialmente para su ahumador. Hay un número de tarjetas con recetas empacadas con los Bisquettes de Sabor Bradley, las cuales están asequibles en el Volumen Uno de la Colección de Recetas Bradley. Otros artículos de interés son las Parrillas Bradley para Cecina, las Parrillas Originales Bradley, las Cubiertas de Protección de Intemperie, el Video de Cocina Bradley, Gorras, Delantales, y el Termómetro Numérico Bradley con sonda que elimina toda la incertidumbre al rostizado y ahumado de carne.

Nosotros le deseamos un gran asado y ahumado para los años venideros.

Atentamente,

The Bradley Group

** Basado en estudios y pruebas realizadas por el Instituto Tecnológico de la Columbia Británica.*



Owners Manual

Saurisseur Numérique de Nourriture

BTDS76P BTDS108P BTDS76CE-EU BTDS108CE-EU
BTDS76CE-UK BTDS108CE-UK

Bradley 4 Rack Digital Smoker 120 v 572 sq. in Wt 42.5 lbs	Bradley 6 Rack Digital Smoker 120 v 858 sq. in Wt 62.5 lbs	Bradley 4 Rack Digital Smoker 240 v 572 sq. in Wt 42.5 lbs	Bradley 6 Rack Digital Smoker 240 v 858 sq. in Wt 62.5 lbs
--	--	--	--



Bradley Technologies Canada Inc.
1609 Derwent Way, Delta, BC V3M 6K8 Canada
Toll Free Telephone 1-800-665-4188
Tel: 604-524-3848 Fax: 604-524-3839
Email: info@bradleysmoker.com
www.bradleysmoker.com

Imprimé en Chine

Monsieur ou Madame,

Nous sommes heureux de vous introduire au plaisir du saurisseur à domicile et de la cuisson lente au barbecue. Le Bradley Smoker est un saurisseur incluant un four isolé conçu pour produire automatiquement une circulation de fumée propre et continue. C'est un appareil électrique d'extérieur qui vous permettra de cuire, rôtir, fumer les aliments à chaud ou à froid tout en donnant continuellement des résultats supérieurs avec un minimum d'efforts.

Le Saurisseur Bradley est unique en son genre car il produit une fumée qui est quatre fois plus propre que les copeaux traditionnels et il éteint automatiquement les bisquettes épuisées ce qui empêche la formation de gaz et d'acide à hautes températures. En plus, le Saurisseur Bradley répond aux normes d'appareils Nord-Américains et Européens.*

Les bisquettes tout spécialement fabriquées pour votre saurisseur Bradley vous sont offertes en neuf différentes saveurs de bois: aulne, pommier, cerisier, hickory, érable, mesquite, chêne, pécan et mélange spécial. Il y a un certain nombre de fiches de recette qui viennent emballées avec les saveur Bisquettes et qui sont également disponibles dans la Collection de recette de Bradley, Premier Volume. Nous vous proposons aussi d'autres articles intéressantes comme les grilles de jerky Bradley, les grilles originelles Bradley, la housse de protection contre les intempéries, le vidéo de cuisson Bradley, les chapeaux de cuisinier, les tabliers, et le thermomètre numérique Bradley avec sonde à viande qui permet de rôtir et de fumer la viande avec la plus grande précision.

Nous vous souhaitons de profiter des plaisirs du barbecue et de saurissage pendant des années à venir.

Cordialement,

Le groupe de Bradley

* Selon les études et les essais effectués au British Columbia Institute of Technology.



Manual del Propietario

Ahumador Numérico de Alimento

BTDS76P	BTDS108P	BTDS76CE-EU BTDS76CE-UK	BTDS108CE-EU BTDS108CE-UK
Bradley 4 Rack Digital Smoker 120 v 572 sq. in Wt 42.5 lbs	Bradley 6 Rack Digital Smoker 120 v 858 sq. in Wt 62.5 lbs	Bradley 4 Rack Digital Smoker 240 v 572 sq. in Wt 42.5 lbs	Bradley 6 Rack Digital Smoker 240 v 858 sq. in Wt 62.5 lbs

Bradley Technologies Canada Inc.
1609 Derwent Way, Delta, BC V3M 6K8 Canada
Toll Free Telephone 1-800-665-4188
Tel: 604-524-3848 Fax: 604-524-3839
Email: info@bradleysmoker.com
www.bradleysmoker.com

Impreso en China

Importantes Précautions de Sécurité

En utilisant des appareils électriques, les mesures de sécurité de base doivent toujours être suivies comprenant ce qui suit:

GARDER CES INSTRUCTIONS

1. S.V.P lire tous les instructions.
2. Ne pas toucher les surfaces chaudes. Utiliser poignets ou boutons.
3. Ne pas utiliser de papier aluminium à l'intérieur du saurisseur.
4. Afin de vous protéger contre les chocs électriques, ne pas immerger aucune cordes, prises, générateur ou saurisseur dans l'eau ou aucun liquid.
5. Ne pas laissez sans surveillance durant l'usage près des enfants.
6. Débrancher l'appareil lorsqu'il n'est pas utilisé et avant le nettoyage. Laisser refroidir avant d'enlever ou de remettre les pièces d'assemblage.
7. L'utilisation de matériel non recommandé avec la manufacture de l'appareil peut causer des dommages.
8. N'employez pas l'appareil pour tout autre que l'usage prévu.
9. Du carburant tel que des brisquettes de charbon de bois ne doivent pas être utilisées avec l'appareil.
10. Une grande prudence est recommandée si l'on déplace un contenant d'huile chaude ou d'autres liquides chauds.
11. Ne pas laisser de cordes dépasser la table ou le comptoire ou toucher les surfaces chaudes.
12. Ne pas placer sur ou près d'un gaz chaud, d'un brûleur électrique, ou d'un four chaud.
13. Soyez prudent des bouts pointus en assemblant et en opérant l'appareil.
14. Si une corde d'extension est nécessaire, la corde doit être une corde résistante approuvée de 3 fronts pour usage extérieur pas plus de 6 pieds de longueur.
15. N'utilisé aucun appareil avec une corde ou une prise endommagée, ou après avoir eu un défaut de fonctionnement de l'appareil qui aurait pu être endommagée. Retourner l'appareil au concessionnaire le plus près pour examination, réparation, ou ajustement. Pour de plus amples renseignements appelé au 1-800-665-4188.
16. Attachez toujours la prise à l'appareil d'abord, puis branchez la corde à la prise murale. Pour débrancher, appuyer sur "OFF" pour éteindre l'appareil, et retirer la prise du mur.
17. Employez seulement sur une prise de courant électrique satisfaisante.
18. Garder ces instructions avec l'appareil.

Durant l'utilisation:

- Pour utilisation extérieure seulement. Ne pas opérer dans un endroit fermé.
- Ne pas laisser sans surveillance durant l'utilisation.
- Ne pas brancher l'appareil avant de l'avoir assemblée au complet.
- Ne pas recouvrir les grilles de papier d'aluminium. Cela pourrait causer des dommages à votre saurisseur.
- Ne pas bouger le saurisseur durant l'utilisation.
- Ne pas dépasser une température de 320o F.
- Toujours utiliser des mitaines de four afin de ne pas se brûler les mains.
- Ne pas utiliser la boîte d'emballage pour recouvrir le fumeur en service
- Employez seulement une prise électrique approuvée
- Protéger le saurisseur contre la pluie. Ne jamais utiliser durant des conditions atmosphériques extrêmes.
- Ne pas immerger dans l'eau.
- Garder en dehors de la portée des enfants
- Ne pas vaporiser d'eau ou d'autre liquide à l'intérieur de l'appareil.
- Lorsqu'il n'est pas en service, garder à l'intérieur hors de la portée des enfants
- Soyez prudent durant l'utilisation de cordes électriques et de cordes d'extension afin d'éviter le risque d'emmêlement ou de trébuchement avec une longue corde.
- Des cordes d'extension pour l'extérieure devraient être employées avec des produits d'extérieur et sont toujours identifiées avec les lettres W-A ainsi qu'une étiquette énonçant l'utilisation appropriée pour l'extérieur.
- Garder les extrémités des cordes d'extension sec et pas par terre.

Après chaque utilisation

- Débrancher l'appareil lorsqu'il n'est pas utilisé.
- Enlevez la graisse et les résidus du saurisseur. Le nettoyez complètement.
- Déposez les bisquettes éteintes à une distance sûre de tous les structures et matériaux combustibles. Mettre l'appareil couvert dans un endroit sec.

Instructions d'assemblage

- Se référer à la Partie Numérique dans la Liste des Pièces Extérieures et le Diagrammes de la Liste de Composants Intérieurs

Comment assembler le Saurisseur Numérique Bradley

- Sortir le saurisseur de la boîte.
- Sortir tous les composants emballés à l'intérieur du saurisseur
- Enlevez tous emballage protecteur

Après avoir nettoyer

Replacez les Grilles, le Plateau D'égouttement, le Plateau Rectangulaire du fond et la Cuvette D'égouttement dans le saurisseur en s'assurant que toutes les pièces sont propres et sèches.

Connectez le Générateur à la tour de saurisseur.

S'assurez que la Corde D'alimentation D'énergie est débranchée.

Conseils de dépannage

Aucun pouvoir au Saurisseur:

Vérifiez que toutes les prises électriques sont correctement insérées dans leurs récipients. Vérifiez le fusible dans le dos du générateur. Vérifiez pour s'assurer que la sortie - l'Interrupteur Moulé de Circuit de Défaut (IMCD) n'est pas défectueux.

Le Bisquette n'avance pas :

Vérifiez si les grilles sont bloquées par de petits morceaux de bois. En nettoyant régulièrement le générateur de fumée, vous éviterez que les bisquette se bloquent ainsi que l'usage anormal du mécanisme de générateur de fumée.

Le Bisquette ne brûle pas complètement:

Vérifiez pour voir si d'autres appareils électriques sont branchés dans le même circuit. Il est préférable que le saurisseur est un circuit désigné. Vérifiez pour s'assurer que le brûleur de bisquette est exempt d'accumulation de résidu.

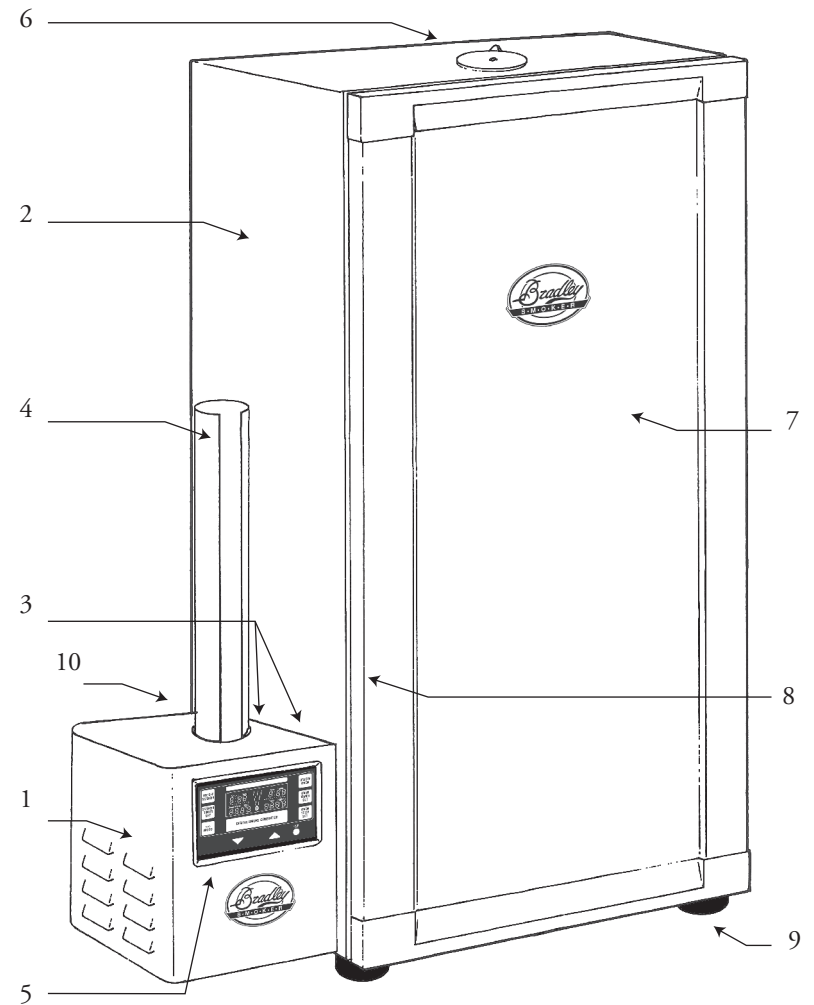
Le Four du Saurisseur n'atteint la température:

Permettre au four du saurisseur de préchauffer. Rappelez-vous, une fois que la nourriture est mise dans le four, la température diminuera un peu et augmentera à nouveau. Essayez de fermer le trou de ventilation légèrement et garder le saurisseur hors du vent. Après, placez un thermomètre séparé à l'intérieur du four pour assurer que la température numérique lit correctement.

Note: Température normale de cuisson est entre 200 o et 250 o F. Souvenez-vous que la température du thermomètre montre la température du four et est utilisée comme référence seulement; elle n'est pas censé donner la température exacte à l'intérieur de la nourriture. La température du four sera plus élevée si rapprochée près des Eléments de Chauffage.

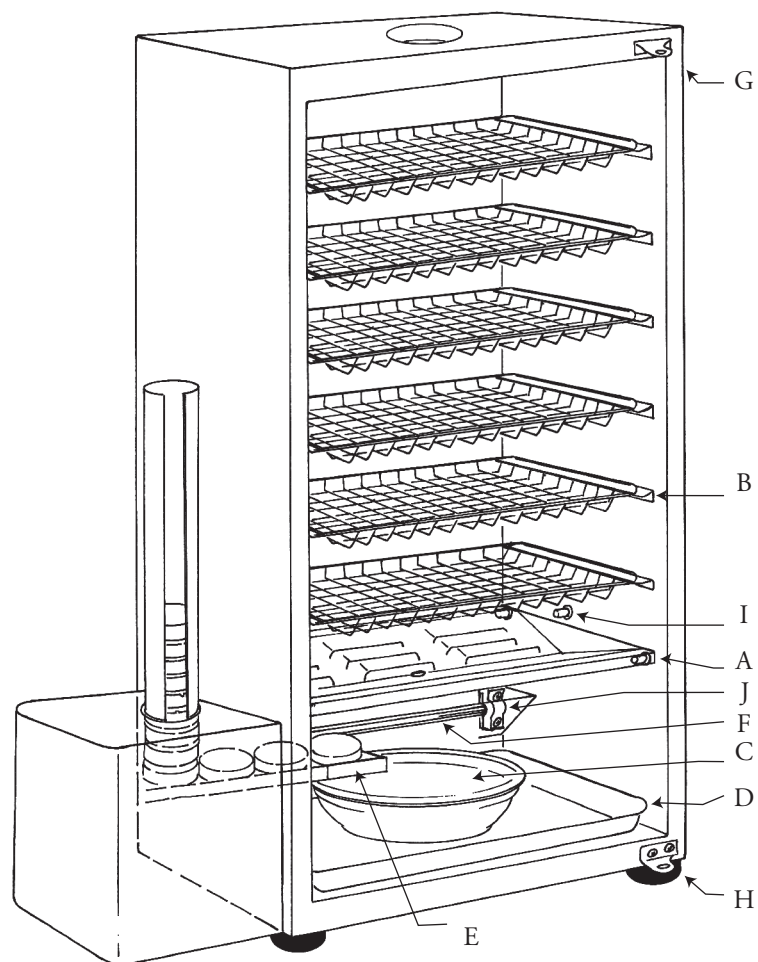
Si ces conseils ne fonctionnent pas, veuillez contacter notre service à la clientèle au 1-800-665-4188.

Extérieur du Saurisseur Numérique Bradley®



Liste des pièces Extérieure

- | | |
|---|--|
| 1 – Générateur du saurisseur numérique | 6 – Trou de ventilation |
| 2 – Tour pour la fumée | 7 – Porte |
| 3 – Support du générateur (non montré) | 8 – Scelleur de porte |
| 4 – Tube de conducteur | 9 – Pattes en caoutchouc |
| 5 – Panneau d'affichage numérique
(voir page 24) | 10 – Câble de sonde, corde de démarrage,
corde d'alimentation d'énergie
(voir page 22) |



Liste des pièces Intérieure

- | | |
|---|-------------------------------------|
| A- Plateau d'égouttement | F- Plaque du brûleur |
| B- Grilles de cuisson (4 ou 6) | G- Charnière supérieure de la porte |
| C- Cuvette d'égouttement | H- Charnière inférieure de porte |
| D- Plateau rectangulaire du fond | I- Goupille en laiton |
| E- Brûleur de bisquette
(bisquettes non comprises) | J- Isolateur de porcelaine |

Mesures de sécurité Importantes

Le Saurisseur Bradley doit être entretenu et nettoyé après chaque utilisation. Débranchez la Corde D'alimentation d'énergie (3) avant de commencer tout entretien ou nettoyage.

Ne pas immerger le saurisseur dans l'eau.

Ne pas vaporiser de nettoyant à l'intérieur du saurisseur.

Ne pas utiliser de papier d'aluminium à l'intérieur du saurisseur.

Ne pas laisser sans surveillance durant l'usage.

Ne pas vaporiser ou nettoyer le four avec une quantité excessive d'eau.

Procédures d'entretien

Nettoyez la Cuvette D'égouttement. Débarassez-vous soigneusement de toutes les Bisquettes brûlées car elles peuvent encore être chaudes.

Nettoyez les Grilles, le Plateau D'égouttement, la Cuvette D'égouttement et le Plateau Rectangulaire à l'eau chaude et au détergent à vaisselle, ou mettre dans le lave-vaisselle.

Enlevez le résidu de nourriture et/ou de graisse du saurisseur. Si l'intérieur exige un nettoyage, essuyez légèrement avec un serviette humide.

Notez: La tour devrait avoir de la fumée ou du résidu noir à l'intérieur. Plus de résidu, plus la nourriture goûtera meilleur.

Il devrait être maintenu propre et exempt de morceaux de bois et/ou de graisse en tout temps. Si les morceaux s'accumulent au fond du tube de conducteur et/ou dans le Générateur, les souffler simplement ou les nettoyer à l'aspirateur. Débranchez et enlevez le générateur (voyez les instructions pour enlever le générateur) sur le côté du fumeur si nécessaire. Débrancher la Corde D'alimentation D'énergie (3), la courte Corde d'alimentation (2) et le Câble de Sonde (1) avant d'enlever le Générateur de la tour du Saurisseur. Veuillez vous référer à "Comment enlever le Générateur" dans le "Guide d'Assemblage".

Le Brûleur de Bisquette devrait être légèrement gratté avec une brosse métallique ou un racleur pour enlever n'importe quel résidu laissé après utilisation.

Nettoyer le Trou de Ventilation au-dessus pour s'assurer qu'il ne devient pas collé.

Nettoyer le Scelleur de Porte avec de l'eau chaude afin d'enlever toutes particules de résidus ou de nourriture.

Appuyez “>>>Wood” deux fois pour avancer les Bisquettes sur le Brûleur.
 Appuyer le bouton “Smoker Timer Set” et ajustez la durée désiré en appuyant sur “v^”.

Appuyer le bouton “Smoker Timer Set” à nouveau pour commencer une période de 20 minutes d’avance.

Appuyez “On/Off Smoker” pour éteindre le Générateur.

Le Four du Saurisseur

Les boutons de contrôle pour le Four sont situés sur la droite.

Appuyez “On/Off Oven” pour allumer le Four.

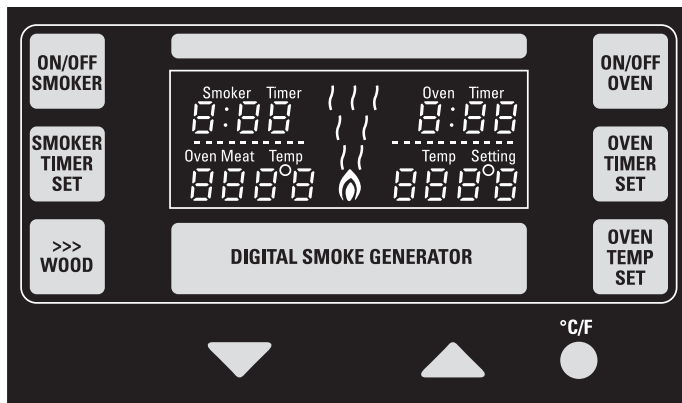
Appuyer le bouton “Oven Temp Set” et appuyez “v^” pour ajuster la température désirée.

Appuyer le bouton “Oven Temp Set” à nouveau pour confirmer la température.

Appuyer le bouton “Oven Timer Set” et appuyez “v^” pour ajustez la durée désirée.

Appuyer le bouton “Oven Timer Set” à nouveau pour confirmer la durée.

Appuyez “On/Off Oven” pour éteindre le Feu du Saurisseur.



Fonction d’Affichage

Une fois que le bouton “On/Off Smoker” a été appuyé pour allumer le saurisseur, l’affichage du “Smoker Timer” clignotera jusqu’à ce que la durée désirée ait été choisie. Le “Oven Meat Temp” commencera à relever la température interne tout de suite. Une fois que le bouton “On/Off Oven” a été appuyé pour allumer le four, l’affichage du “Oven Timer” clignotera jusqu’à ce que le temps de cuisson désiré ait été sélectionné. Le “Temp Setting” clignotera également jusqu’à ce que la température désirée ait été sélectionnée.

Installation du Générateur du Saurisseur Numérique (voir page 19)

Brancher le générateur du saurisseur numérique (1) à la tour du saurisseur (2) en plaçant le Brûleur de Bisquette (G) à travers l’ouverture du côté gauche du four.

Enlignez les trous de montage du générateur aux deux supports (3) sur le côté du four et poussez vers le bas pour fixer en position.

Brancher le Tube de Conducteur (4) à l’ouverture supérieure du générateur. Insérez jusqu’à l’arrêt. Chargez le tube avec le nombre désiré de Saveur Bisquettes de Bradley.

Branchez le Câble de Sonde (1) au dos du générateur (A) et du saurisseur (B). (voir page 22)

Branchez la courte Corde d’alimentation (2) derrière le générateur (D) et la tour du saurisseur (C). (voir page 22)

Brancher la Corde D’alimentation D’énergie (3) dans la prise de courant derrière le générateur (E).

Installation de la Tour pour la fumée (voir page 20)

Placez les Grilles de cuisson (C) quatre ou six sur les appuis latéraux au-dessus du Plateau D’égouttement (B)

Placez le Plateau D’égouttement (B) côté V vers le bas sur les goupilles en laiton inférieures

Placez le Plateau Rectangulaire du fond (E) dans la partie inférieure du four

Remplir à moitié d’eau la Cuvette D’égouttement (D) et la déposer sur le centre du Plateau Rectangulaire afin d’attaper les bisquettes brûlées.

Pendant une longue période de saurissage, vous devrez changer l’eau de la cuvette.

Branchez la Corde D’alimentation D’énergie (3) du générateur à une prise de courant électrique approuvée (4). (voir page 22)

Comment enlever le Générateur du Saurisseur

Attendre que le générateur du saurisseur soit refroidit. Débrancher la Corde Electrique de la prise de courant murale (4) et celle du générateur (3).

Débrancher le Câble de Sonde (1) et la Corde de Démarrage (2) et enlever le générateur de la tour du saurisseur en le soulevant délicatement vers le haut et le tirant vers l’extérieur.

Guide d’Opération

L’assaisonnement et la préparation pour l’usage

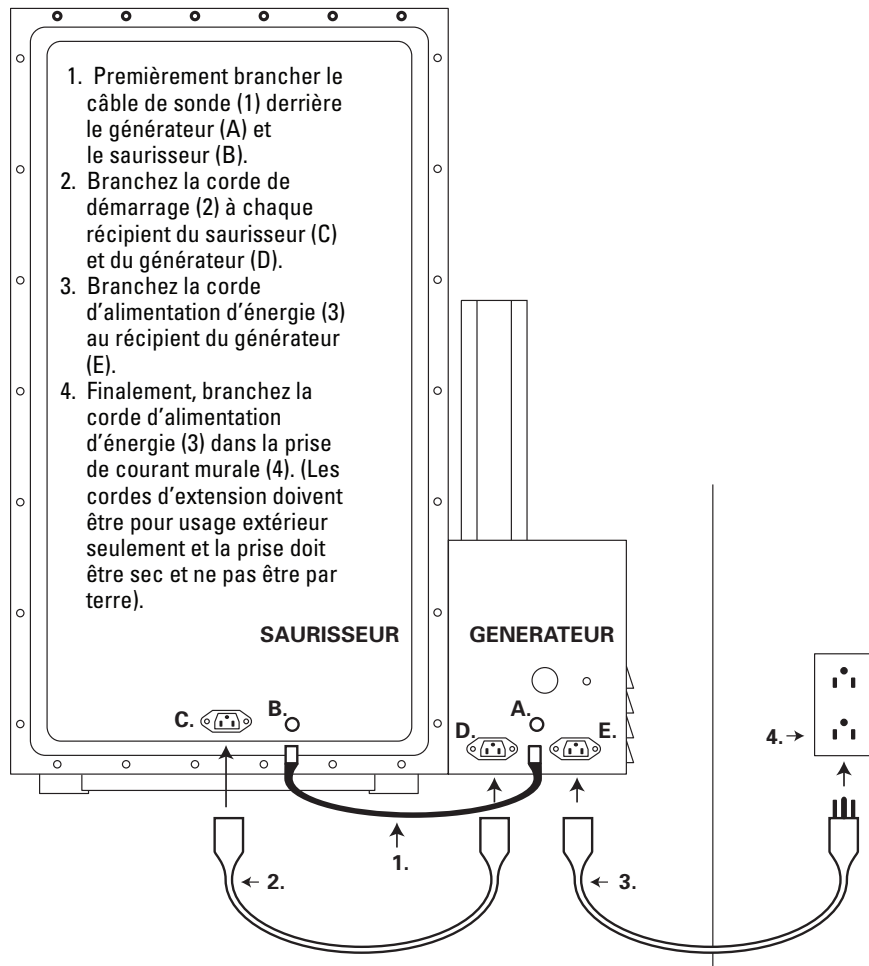
L’assaisonnement du Saurisseur Numérique Bradley est un processus continu, plus vous l’utiliser, meilleur est la nourriture.

Le Processus D'assaisonnement doit principalement enlever les odeurs et les saveurs impartiales de votre fumeur. L'odeur de votre Saurisseur Numérique Bradley n'est pas nécessairement comme vous voulez que votre nourriture goûte.

Installation du branchement électrique

Après avoir monté le Générateur au Saurisseur

(DANS CET ORDRE)



1. Câble de sonde
2. Corde de démarrage
3. Corde d'alimentation d'énergie
4. Prise de courant murale

- A. Récipient du câble de sonde
- B. Récipient du câble de sonde
- C. Récipient mâle
- D. Récipient femelle
- E. Récipient mâle

Méthode d'assaisonnement

Nettoyez les Grilles, le Plateau D'égouttement, la Cuvette D'égouttement et le Plateau Rectangulaire puis remettre dans le saurisseur.

Remplir à moitié d'eau la Cuvette D'égouttement.

Chargez le Tube de Conducteur avec 5 Bisquettes. Notez – Chaque Bisquette fumera pendant 20 minutes. Les 2 Bisquettes supplémentaires sont utilisées pour pousser la dernière Bisquette sur le Brûleur.

Ouvrir un peu le Trou de Ventilation sur le dessus du saurisseur.

Appuyez "On/Off Smoker" pour allumer votre saurisseur.

Appuyez ">>>Wood" deux fois pour avancer les Bisquettes sur le Brûleur.

Ajustez le bouton "Smoker Timer Set" pour une heure.

Appuyez "On/Off Oven" pour l'allumer.

Ajuster "Oven Temp Set" à 150o F (66o C)

Ajuster "Oven Timer Set" pour une heure

Notez : Votre saurisseur sera assaisonné lorsqu'il aura atteint 150o F et après avoir fumé pendant une heure.

Pour Commencer

Après avoir assaisonné votre saurisseur, remplir à moitié d'eau la Cuvette D'égouttement.

Chargez votre Tube de Conducteur du nombre de Bisquettes désirées.

Appuyez "On/Off Smoker" pour allumer votre saurisseur.

Appuyez ">>>Wood" deux fois pour avancer les Bisquettes sur le Brûleur.

Ajustez le bouton "Smoker Timer Set" pour le temps désiré.

Déposé votre nourriture sur les Grilles et remettre dans votre saurisseur.

Ajuster le Trou de Ventilation à l'ouverture désirée

Appuyez "On/Off Oven" pour allumer votre saurisseur.

Appuyer "Oven Temp Set" à la température désirée.

Appuyer "Oven Timer Set" pour la durée désirée.

Veillez vous référer à "Directive de fonction d'affichage" pour plus d'inforamtion.

Fumée à froid – Utilisé le saurisseur seulement.

Fumée à chaud – Utilisé le saurisseur et le four ensemble.

Directive des Fonctions d'Affichage

Générateur Numérique

Les boutons de contrôle pour le Générateur sont situés sur la gauche.

Appuyez "On/Off Smoker" pour allumer le Générateur.